

	<b>Kg.</b>
	<b>cm.</b>



**PC & Macbook**  
<https://get.adobe.com/uk/reader/>

**Tablet & iPad**  
<https://www.adobe.com/acrobat/mobile.html>

DE 

DK 

ENG 

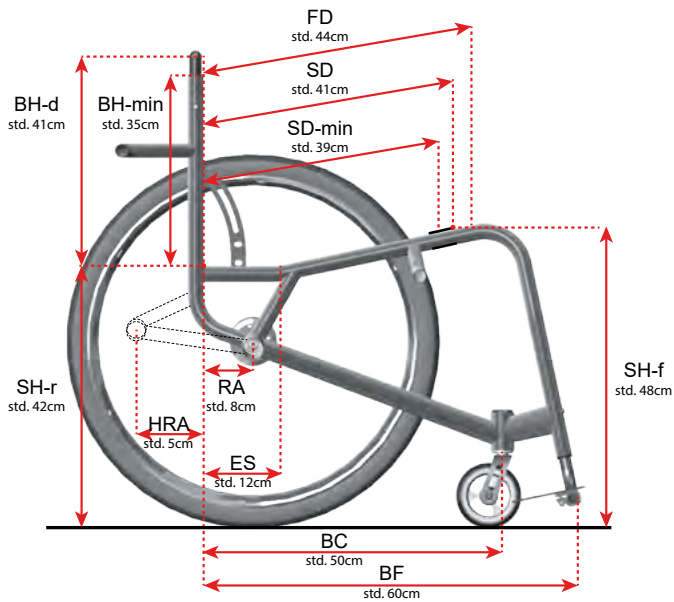
FR 

ITA 

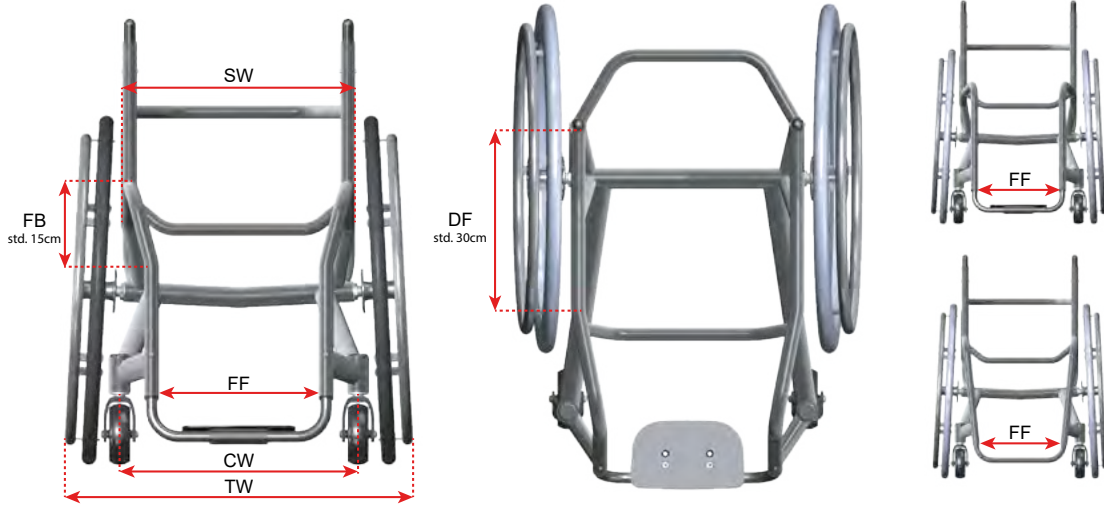


11100000100?	
11100000300?	
11100000400?	
11100000200?	
11100000550?	
120000001500	
120000002000	
120000003000	
120000004000	
14100000150?	

619000001009			
619000001109			
619000001209			
619000001309			
619000001409			
619000001509			
619000002009			
619000002109			
619000002509			
619000002809			
619000003209			
619000003309			
619000003409			
619000003509			
619000003709			
619000003809			
619000003909			
619000003009			
<b>750 €</b>			
000000001102			
<b>0 €</b>			



	!		SW: _____ cm
	!		FD: _____ cm
	!		SD: _____ cm
	!		SD-min: _____ cm
	!		SH-r _____ cm
	!		SH-f: _____ cm
	!		C: _____ °
	!		BH: _____ cm
	!		BH-d: _____ cm
	!		BH-max: _____ cm
	!		BH-min: _____ cm
	!		RA: _____ cm
69100001010? 730 €			HRA: _____ cm
610000001009 610000??0001 255 €	!		ES: _____ cm
			BF: _____ cm
			BC: _____ cm
			CW: _____ cm
			TW: _____ cm

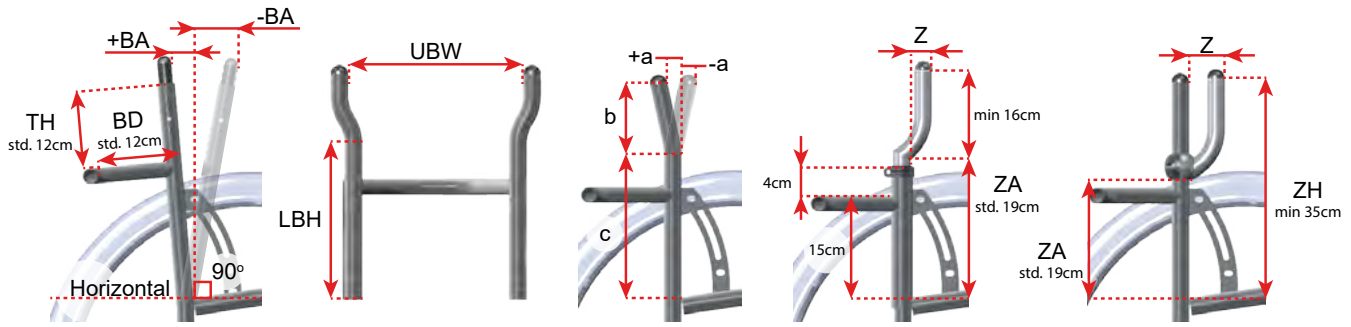


			FF: _____ cm
!			FB: _____ cm
			FF: _____ cm
!			DF: _____ cm
			FF: _____ cm



8861101013?? <b>325 €</b>	!			
8861101013?? <b>325 €</b>				
8861101013?? <b>425 €</b>				
8861101013?? <b>425 €</b>				
				AF: _____ cm
			AW: _____ cm	
886110102001 <b>325 €</b>				





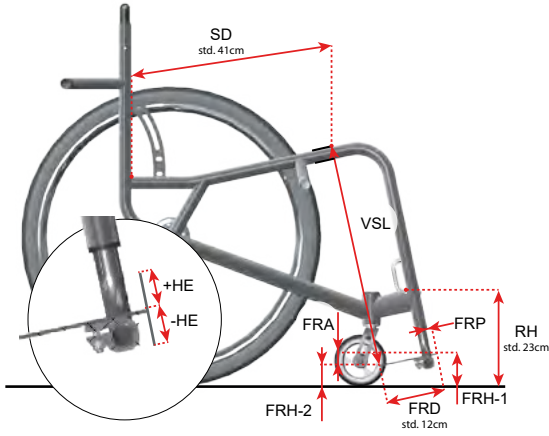
813100050???				
<b>0 €</b>				
813100051???				<b>BA:</b> _____ ±cm
<b>366 €</b>				
691000010130				
<b>68 €</b>				
813100053???				
<b>498 €</b>				<b>SW-s:</b> _____ cm

81220020000?				<b>UBW:</b> _____ cm
<b>246 €</b>				<b>LBH:</b> _____ cm
812200200020				<b>a:</b> _____ cm
<b>147 €</b>				<b>b:</b> _____ cm
				<b>c:</b> _____ cm
				<b>BD:</b> _____ cm
				<b>TH:</b> _____ cm

8122002001??				
<b>560 €</b>				
8122002001??				_____ cm
<b>723 €</b>				
82501000????				
<b>560 €</b>				<b>ZA:</b> _____ cm
8122002001??				<b>Z:</b> _____ cm
<b>930 €</b>				<b>ZH:</b> _____ cm
8122002001??				
<b>930 €</b>				



--	--



Fill in and send to Wolturnus - Ausfüllen und an Wolturnus senden - Udfyld og send til Wolturnus

Subject to Technical Modifications and Printing Errors / Technische Änderungen und Druckfehler vorbehalten  
Forbehold for tekniske ændringer og trykfejl

		<b>VSL/USL:</b> _____ cm	
		<b>FRH-1:</b> _____ cm	
		<b>FRH-2:</b> _____ cm	
		-1,5	-3
		+1,5	+3
8200FF00FR00 <b>0 €</b> 141 €			
82??99000000 <b>314 €</b>			Custom FRD _____ cm
829999020004 <b>382 €</b>			HE: _____ ±cm
8299990000?9 <b>0 €</b>			
8299990100?1 <b>272 €</b>			FRD: _____ cm
8299990100?5 <b>225 €</b>			FRA: _____ cm
8299990100?3 <b>524 €</b>			FRD std. 12 cm FRA std. 1 cm
829999200005 <b>0 €</b>			
835050001001 <b>980 €</b> 980 €			
829999020090 <b>230 €</b>			
835099210001 <b>68 €</b>	!		
829999012001 <b>37 €</b>			HE: _____ ±cm
			FRP: _____ cm
691000010001 <b>68 €</b>			RH: _____ cm
825000000003 <b>126 €</b>			
840710001010 <b>845 €</b>			
<b>FreeWheel</b> <small>(Inc)</small> Wheelchair Attachment			

© Wolturnus A/S W57Tukan/Dalton Winter 2024 v14.1

761000000010 <b>245 €</b>							
		+0	1+	2+	3+	4+	5+
		+0	1+	2+	3+	4+	5+

710000000001 <b>0 €</b>							
710099990010 <b>440 €</b>							
710099990012 <b>470 €</b>							
710099990013 <b>470 €</b>							
710099990011 <b>470 €</b>							

710099990001 <b>0 €</b>							
710099990003 <b>185 €</b>							
710099990004 <b>185 €</b>							
710099990002 <b>185 €</b>							
710099990000 <b>0 €</b>							

750000009000 <b>265 €</b>		!				
- <b>0 €</b>		_____ cm / _____ cm				
750000000005 <b>68 €</b>	!			5cm <b>Std.</b>	7cm	
				Medium Std.	Hard	



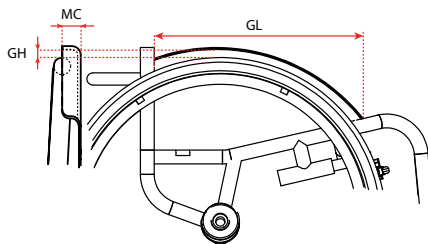


885110101001 <b>0 €</b>			
885110101003 <b>0 €</b>			
885110111001 <b>199 €</b>			
885110122002 <b>60 €</b>			
88511012200? <b>120 €</b>			
885110201009 <b>157 €</b>			
885110200909 <b>199 €</b>			
885110101101 <b>199 €</b>			
885110111101 <b>199 €</b>			
951519204000 <b>90 €</b> <b>180 €</b>			
885110201209 <b>225 €</b>			
885110201300 <b>250 €</b>			
85511020130? <b>400 €</b>			
8400002072XX <b>450 €</b>			
951500020019 <b>70 €</b>			
951519300007 <b>70 €</b>			
691000020001 <b>170 €</b>			

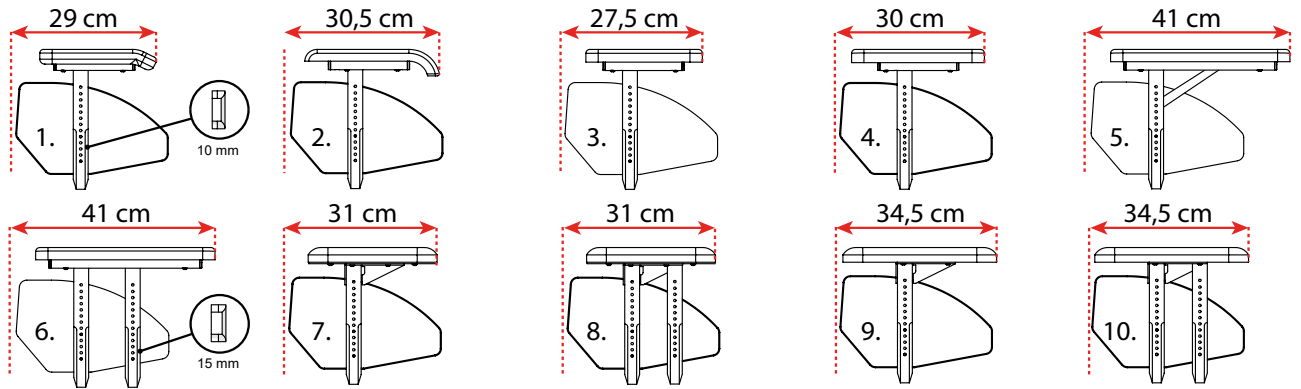
				
881000100003 <b>0 €</b>				
881000600003 <b>0 €</b>				
881000?0000 <b>340 €</b>				
88100010000? <b>0 €</b>				
88100040000? <b>300 €</b>				
8810005000?? <b>744 €</b>				
88100020000? <b>725 €</b>				
8810003000?? <b>800 €</b>				









883124101014 <b>240 €</b>			
681000010002 <b>70 €</b>			
681000010052 <b>70 €</b>			
7670000000?? <b>170 €</b>			

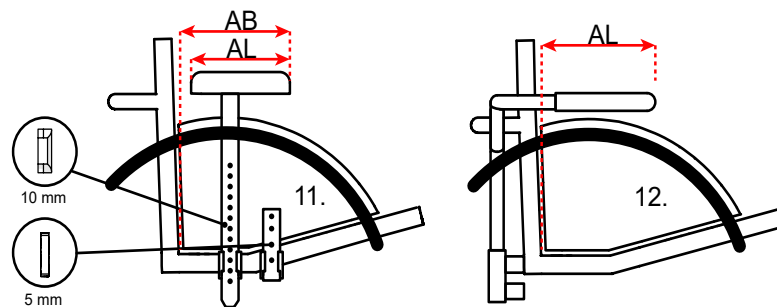
		<b>GH:</b> _____ cm
		<b>GL:</b> _____ cm
		<b>MC:</b> _____ cm

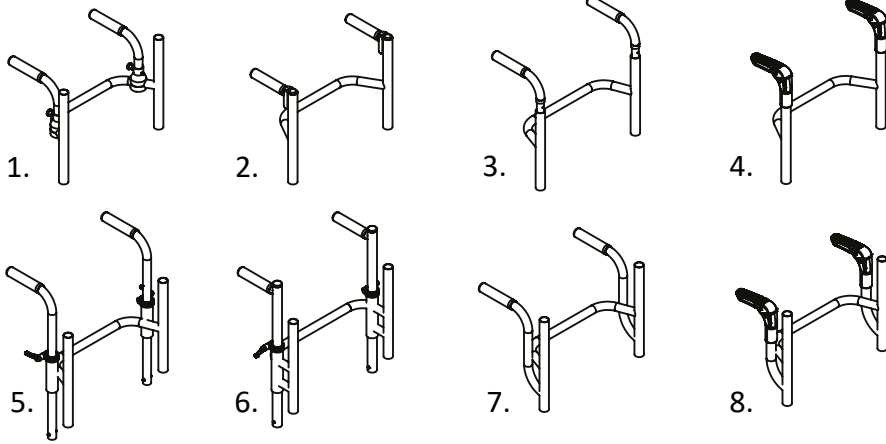


--	--



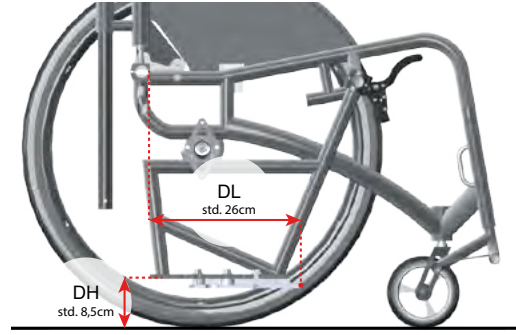
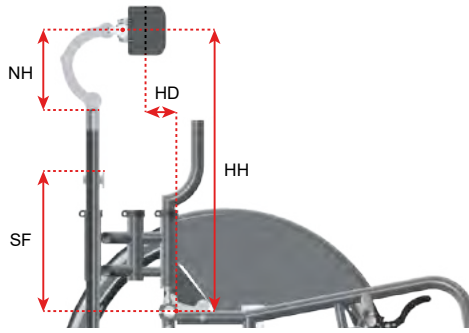
881001000003 <b>550 €</b>		AB = 29 cm AL = 23,5 cm	
881001100003 <b>550 €</b>		AB = 30,5 cm AL = 27,5 cm	
881001200003 <b>550 €</b>		AB = 27,5 cm AL = 23,5 cm	
881001300003 <b>550 €</b>		AB = 30 cm AL = 27 cm	
881001?00003 <b>800 €</b> <b>950 €</b>		AB = 41 cm AL = 37 cm	
881001?00003 <b>850 €</b> <b>1000 €</b>		AB = 31 cm AL = 26 cm	
881001?00003 <b>850 €</b> <b>1000 €</b>		AB = 34,5 cm AL = 31 cm	
681000010004 <b>175 €</b>			
681000010007 <b>95 €</b>			
883124101002 <b>555 €</b>			AL: _____ cm
	!		AS: _____ cm








81310005??09 <b>330 €</b>		1.	
81310005?106 <b>314 €</b>		2.	
81310005?206 <b>367 €</b>			
81310005?108 <b>314 €</b>		3.	
81310005?208 <b>367 €</b>			
81310005?107 <b>183 €</b>		4.	
81310005?207 <b>230 €</b>			
81310005??02 <b>524 €</b>		5.	
81310005??03 <b>524 €</b>		6.	
81310005??04 <b>367 €</b>		7.	
81310005??05 <b>576 €</b>		8.	
			PH: _____ cm

--	--












884100013001 <b>240 €</b>				
884100014002 <b>345 €</b>				
951000080130 <b>90 €</b>				NH: _____ cm
951000080131 <b>110 €</b>				
951000080141 <b>110 €</b>				HH: _____ cm
951000080142 <b>110 €</b>				
840000100831 <b>180 €</b>				
840000100832 <b>210 €</b>				HD: _____ cm
884100250100 <b>190 €</b>				SF: _____ cm

825000000001 <b>288 €</b>				
887000200002 <b>498 €</b>				
887000200011 <b>2.400 €</b>				DL: _____ cm DH: _____ cm

69100002002? <b>275 €</b>			
886210101001 <b>340 €</b>			
7600000100?? <b>68 €</b> <b>63 €</b>			
76100000000? <b>162 €</b> <b>225 €</b>			
7711000007?? <b>110 €</b> <b>110 €</b> <b>110 €</b>			
771100000747 <b>110 €</b>			
953001040120 <b>110 €</b>			

--	--	--	--

860010201251		0 €		Std.	LED
860010201000		0 €			
860010201001		0 €			
860010200801		0 €			
860010101401		0 €		29mm	40mm
860010101253		0 €			
860010101251		0 €			
860010101002		0 €			
860010200910		178 €			
860010200900		178 €			
8600101015??		450 €			
8600101015??		450 €			
86001010201?		0 €			
		0 €			
		0 €			
8600101020??		0 €			
		0 €			
860020000000		+52 €			
86001020150?		325 €			
		325 €			
860010201???		325 €			
		325 €			
		325 €			
860010201???		325 €			
		325 €			
		325 €			
860010201???		377 €			
		377 €			
		377 €			
		377 €			
860010201???		377 €			
		377 €			
		377 €			
		377 €			
		0 €			
		160 €			
		160 €			
		160 €			
885201001001		600 €			
862400001009		314 €			




--	--	--	--	--	--


	22"	24"	25"	26"	
85102??01009					0.-
85102?10100?	-			-	0.-
8510??101002				-	257 €
851124201009	-		-	-	471 €

853728111019						
853728111020			-		817 €	!
853728111021						

853728111009			-	-	1.309 €	!
853728111010						

	22"	24"	25"	26"		
85352?101008					895 €	
85352?101208					895 €	
85352?101508	-				895 €	
85352?101308					895 €	
85352?102108					895 €	
85352?101009					695 €	
85352?101209					695 €	
85352?101509	-				695 €	
85352?101309					695 €	
85352?101709					695 €	

85352?101608					950 €	
85352?101408	-			-	950 €	
85352?101808					950 €	
85352?101708					950 €	
85362?241008					950 €	
85362?241208	-				950 €	
85362?241508					950 €	
85362?241308					950 €	
85362?181008					950 €	
85362?181208	-				950 €	
85362?181508					950 €	
85362?181308					950 €	

85342410042?					4.230 €	
85342410043?	-			-	4.545 €	

--	--

	22"	24"	25"	26"	
96622?010001				-	0 €
96622?01000?					68 €
96622?010009					146 €
96622?010021			-	-	146 €
966224010013	-		-	-	68 €
96622?011008	-			-	68 €
966224010007	-		-	-	68 €







85512?10200?					0 €
85512?102008	-			-	194 €
85502?103009	-				178 €
85552?000009					503 € 629 €
8554202?0601	-				315 €
8554262?0601	-				575 €
8554272?0601	-				575 €
8554282?0601					700 €
9669282?0602					700 €
8554302?0601					700 €
8554502?060?	-			-	700 €
8554502?060?	-			-	700 €

			!		

85712?102009					178 €
--------------	--	--	--	--	-------

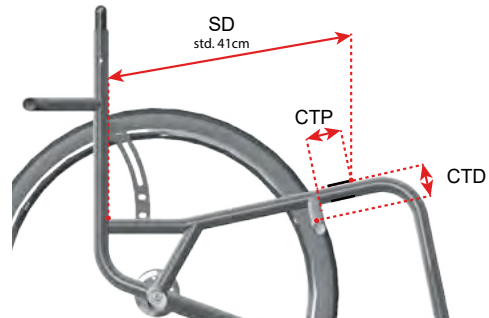
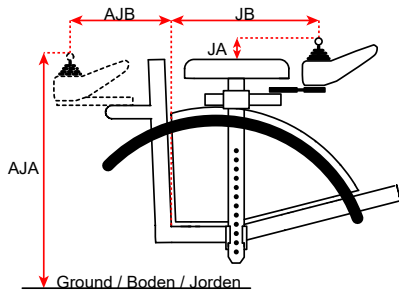
--	--



853728111062				595 €	
853728111061				595 €	
853727110001				1.240 €	
853727110001			1.240 €		
853727110002			1.240 €		
853727110002			1.240 €		
853728111?65				90 €	
853727110003				1.240 €	
853727110004				1.240 €	
853727110005				1.240 €	
853727110007				1.240 €	
951099250460				200 €	
951099250560				200 €	
853728120000				225 €	

0 €					JB: _____ cm
					JA: _____ cm
					AJB: _____ cm
					AJA: _____ cm

825000000007 115 €					CTP: _____ cm
					CTD: _____ cm



--	--	--	--	--	--

000000001104 100 €		EN ISO 14971
P.4		
P.5		
P.6		
P.7		
P.9		
P.10		
P.11		
P.12		
P.13		
P.14		
P.15		
P.16		



